

Confidence in your rapid test results

You no longer have to choose between accurate results and fast turnaround time.

Quidel's Sofia RSV FIA takes lateral flow to a whole new level, utilizing advanced immunofluorescence technology intended for the rapid qualitative detection of respiratory syncytial virus (RSV) nucleoprotein antigen directly from nasopharyngeal swab and nasopharyngeal aspirate/wash specimens. This test, used

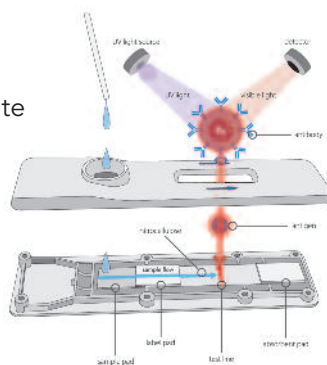
with the Sofia Analyzer, allows you to rapidly diagnose and treat.

The Sofia RSV FIA is highly sensitive and specific, giving you the accuracy that you need and confidence in the results so you can provide the right care right now.



Sofia: A Next Generation Rapid Immunoassay

- Enhanced assay sensitivity
- Accurate detection with nasopharyngeal swab or aspirate/wash samples
- Results in 15 minutes
- Excellent performance as demonstrated by a 1736-specimen study conducted at 17 distinct sites
- Available in 25-test kit
- Room temperature storage
- 24-month shelf life from date of manufacture

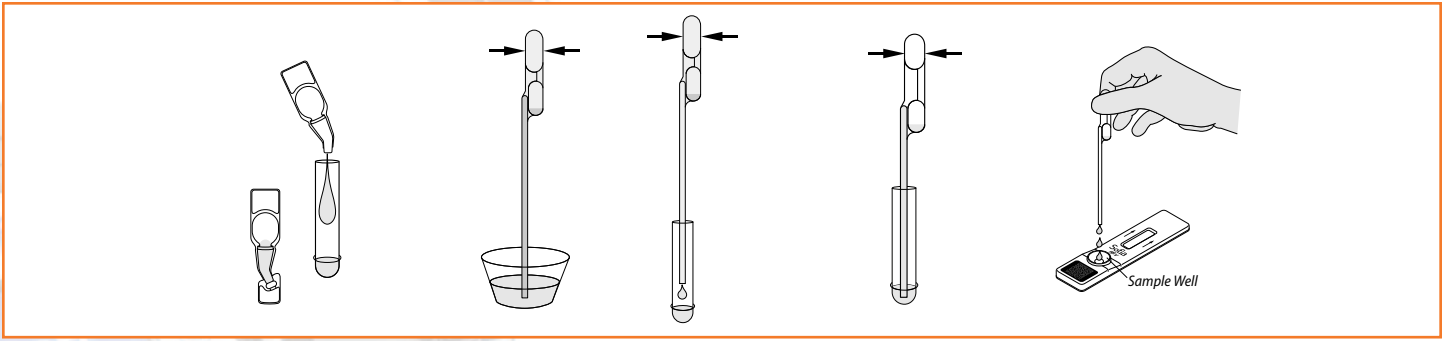


The Sofia Analyzer

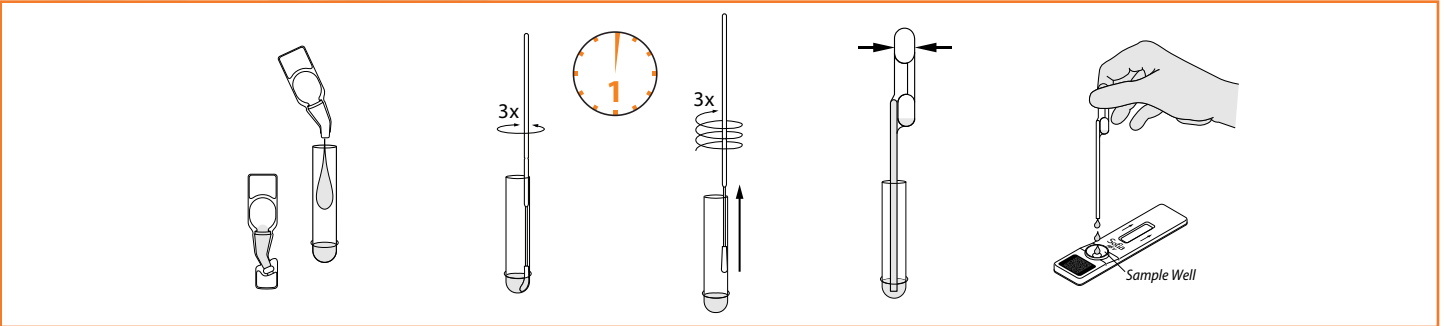
- Advanced fluorescence detector with ultraviolet LED energy source
- Optical sensor scans and collects hundreds of data points on the test strip
- Proprietary algorithms analyze data, interpret signals and determine results
- Easy to use interface, customizable settings, bar code technology and LIS connectivity
- Automated results eliminate the interpretation subjectivity and variability from operator to operator
- Results can be stored in the analyzer, on the provided SD Card, displayed on the screen and sent to the LIS
- Flexible work flow options



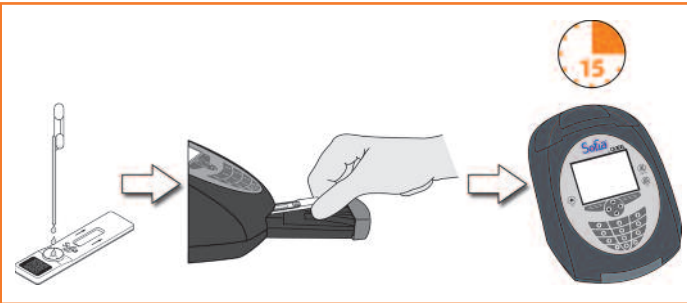
Nasopharyngeal Aspirate/Wash Procedure



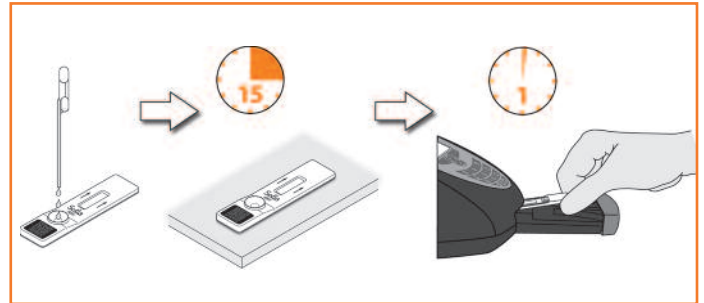
Nasopharyngeal Swab Procedure



Walk Away Mode – Walk away and multitask



Read Now Mode – Batch several samples per hour



Nasopharyngeal Swab

RSV	Culture		Total:	
	+	-		
Sofia	+	126	25	151
	-	20	801	821
Total:		146	826	972
Sensitivity: 86% Specificity: 97%				

Nasopharyngeal Aspirate/Wash

RSV	Culture		Total:	
	+	-		
Sofia	+	57	12	69
	-	7	688	695
Total:		64	700	764
Sensitivity: 89% Specificity: 98%				

Nasopharyngeal Swab-VTM

RSV	Culture		Total:	
	+	-		
Sofia	+	125	26	151
	-	18	799	817
Total:		143	825	968
Sensitivity: 87% Specificity: 97%				

Nasopharyngeal Aspirate/Wash-VTM

RSV	Culture		Total:	
	+	-		
Sofia	+	59	12	71
	-	8	702	710
Total:		67	714	781
Sensitivity: 88% Specificity: 98%				

SL18081 | 2419UD081 3D (08/13)

To order: Call your Quidel Account Manager

Sofia RSV FIA – 25/Kit: Catalog #20260

Distributed by:

Point of Care Diagnostics

Ph: 1800 640 075

Email: admin@pocd.com.au

Web: www.pocd.com.au

